

FlexiBowl[®] by ars

Backlight and Toplight Datasheet



Backlight FlexiBowl® 200



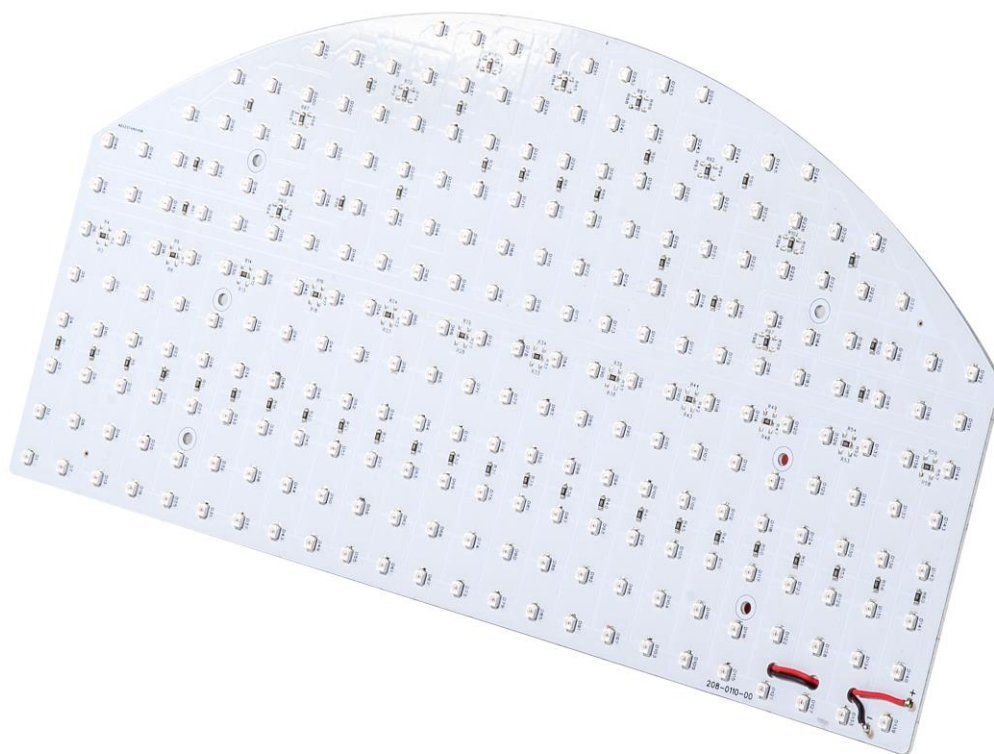
Item	CE000351	CE000353	CE000331
Led Colour	Red	Infrared	White
Wavelength	630nm	850nm	N/A
Voltage	24VDC	24VDC	24VDC
Current	0.17A	0,12A	0,17A
Lighting area	155X75mm ²		
Housing material	Aluminium alloy		
Working Temperature	-40/+85°C		
Cable length	0.2m		
Cooling method	Natural air		
Opaline Material	Opaline white methacrylate		

Backlight FlexiBowl® 350



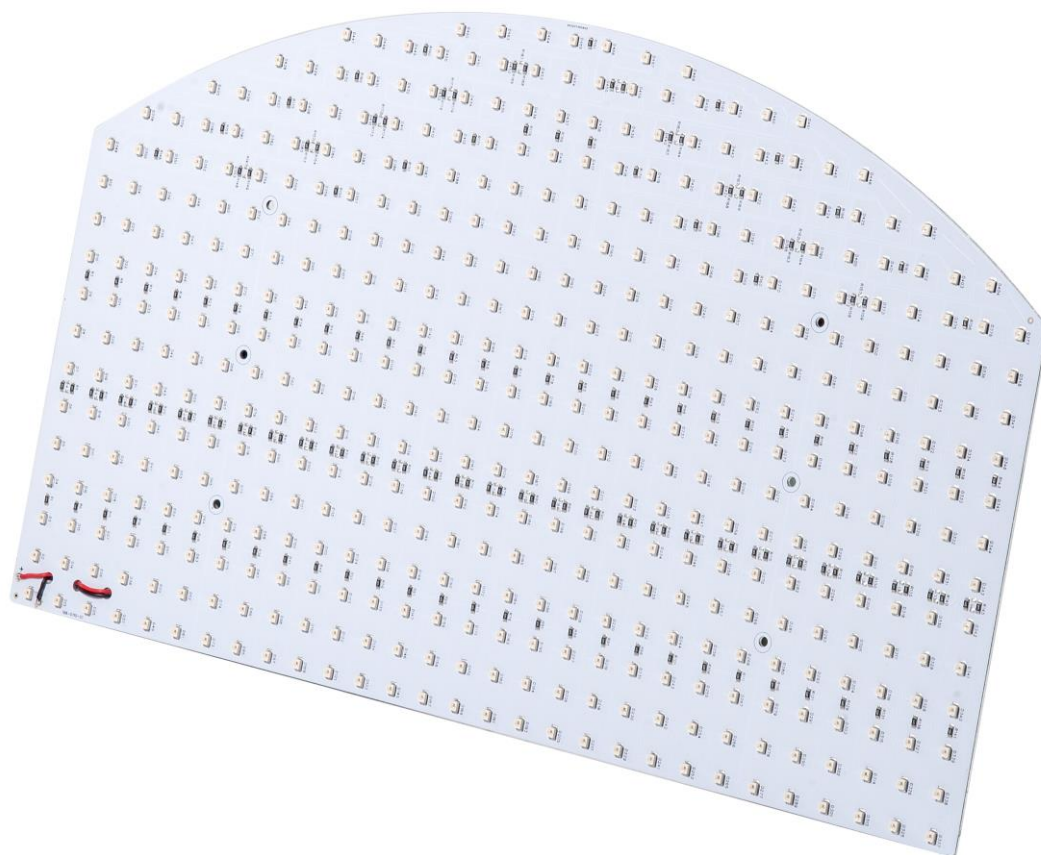
Item	CE000342	CE000275	CE000341
Led Colour	Red	Infrared	White
Wavelength	630nm	850nm	N/A
Voltage	24VDC	24VDC	24VDC
Current	0.18A	0,13A	0,18A
Lighting area	220x100mm ²		
Housing material	Aluminium alloy		
Working Temperature	-40/+85°C		
Cable length	0.2m		
Cooling method	Natural air		
Opaline Material	Opaline white methacrylate		

Backlight FlexiBowl® 500



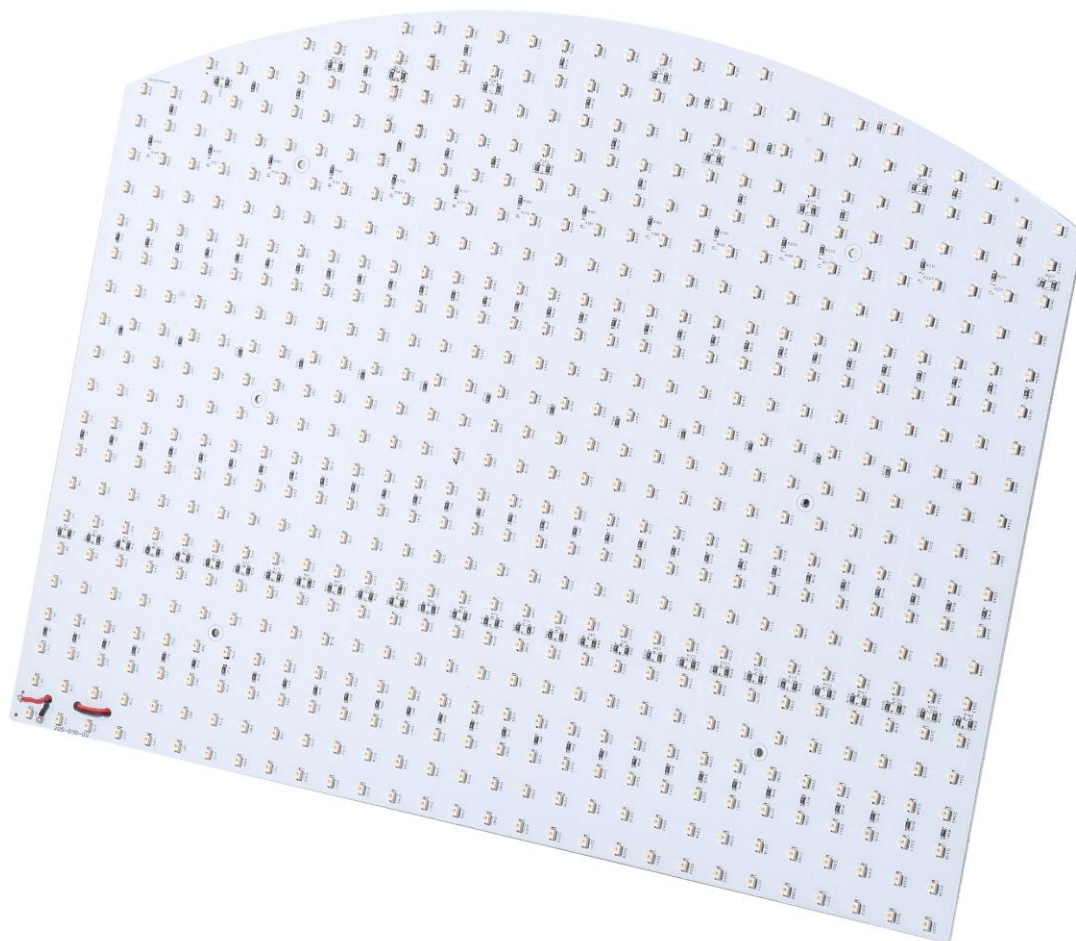
Item	CE000344	CE000272	CE000343
Led Colour	Red	Infrared	White
Wavelength	630nm	850nm	N/A
Voltage	24VDC	24VDC	24VDC
Current	0,46A	0.31A	0,46A
Lighting area	330x170mm ²		
Housing material	Aluminium alloy		
Working Temperature	-40/+85°C		
Cable length	0.2m		
Cooling method	Natural air		
Opaline Material	Opaline white methacrylate		

Backlight FlexiBowl® 650



Item	CE000306	CE000273	CE000305
Led Colour	Red	Infrared	White
Wavelength	630nm	850nm	N/A
Voltage	24VDC	24VDC	24VDC
Current	0.86A	0.56A	0.94A
Lighting area	400x240mm ²		
Housing material	Aluminium alloy		
Working Temperature	-40/+85°C		
Cable length	0.2m		
Cooling method	Natural air		
Opaline Material	Opaline white methacrylate		

Backlight FlexiBowl® 800



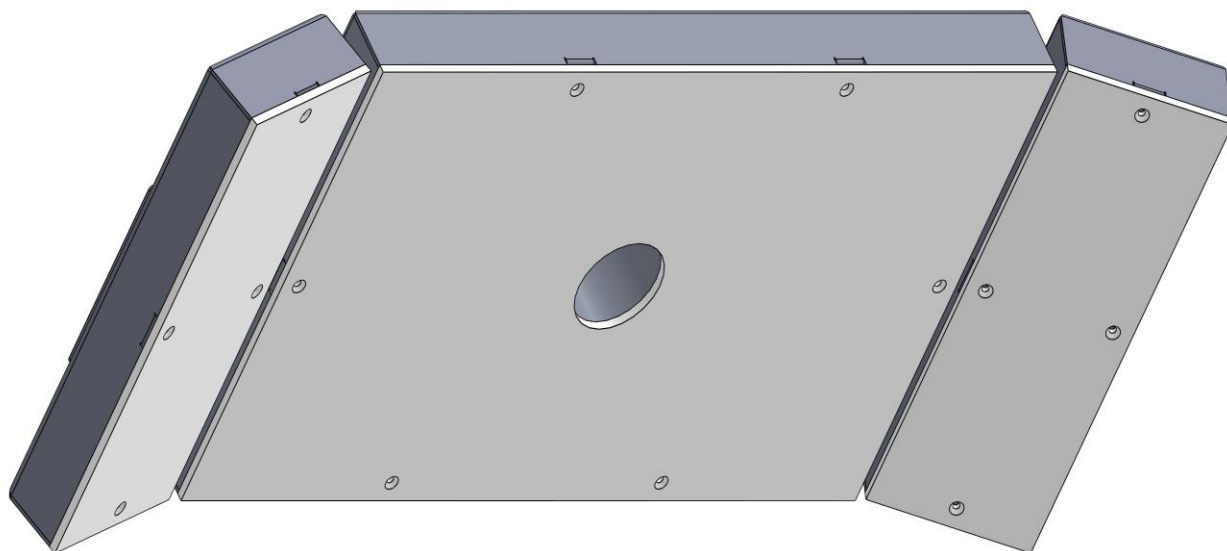
Item	CE000345	CE000274	CE000346
Led Colour	Red	Infrared	White
Wavelength	630nm	850nm	N/A
Voltage	24VDC	24VDC	24VDC
Current	1,15A	0,76A	1,2A
Lighting area	400x315mm ²		
Housing material	Aluminum alloy		
Working Temperature	-40/+85°C		
Cable length	0.2m		
Cooling method	Natural air		
Opaline Material	Opaline white methacrylate		

Toplight (DOME FlexiBowl® 200/350/500)



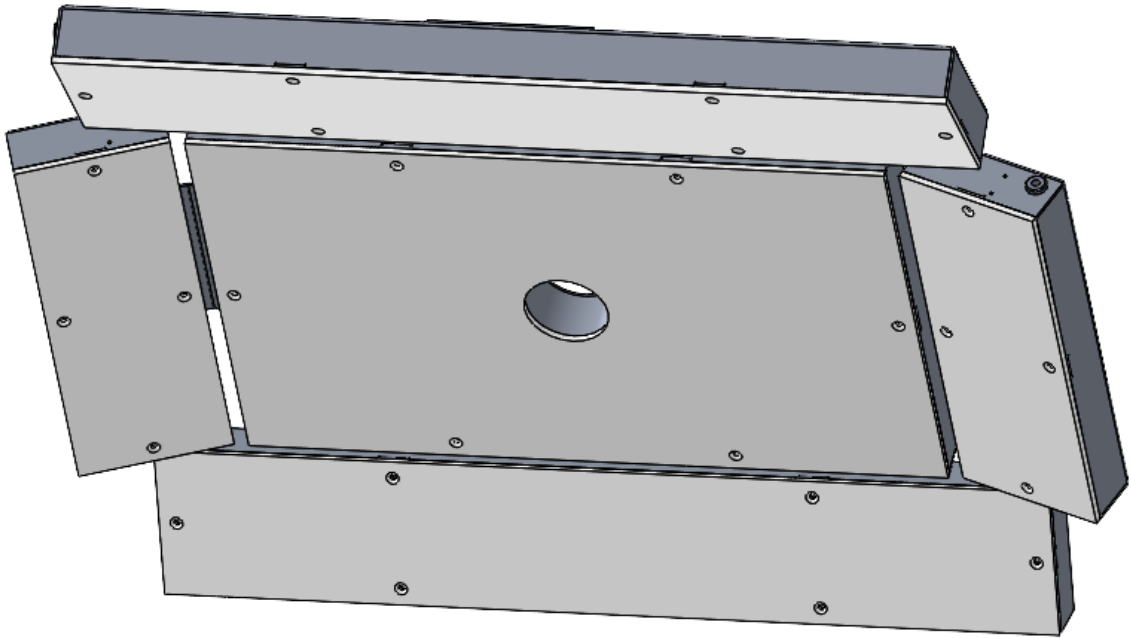
Item	GM000591	GM000592	GM000590
Led Colour	Red	Infrared	White
Wavelength	630nm	850nm	N/A
Voltage	24VDC	24VDC	24VDC
Current	1.8A	2.2A	2.2A
Lighting area	480x280mm ²		
Housing material	Aluminium alloy		
Working Temperature	-40/+85°C		
Cable length	5m		
Cooling method	Natural air		
Opaline Material	Opaline white methacrylate		

Toplight XL (DOME FlexiBowl® 650/800)



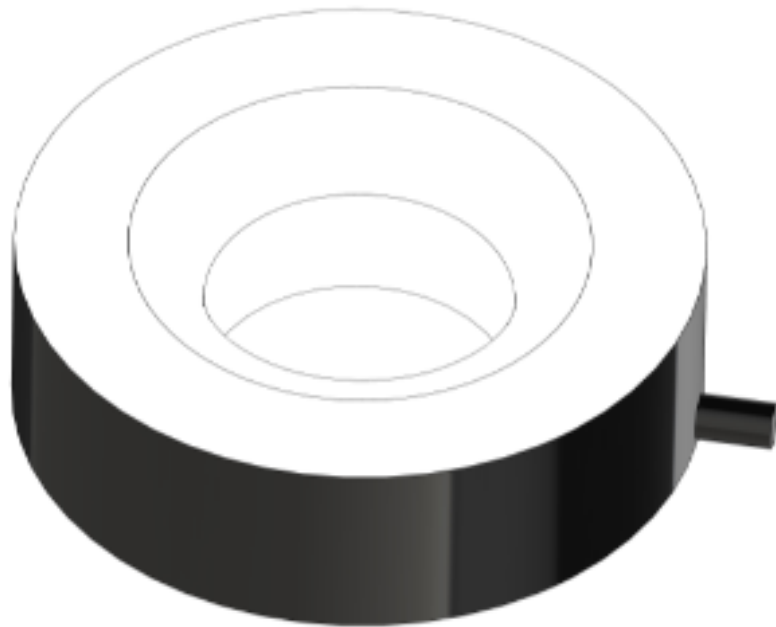
Item	GM000588	GM000587	GM000589
Led Colour	Red	Infrared	White
Wavelength	630nm	850nm	N/A
Voltage	24VDC	24VDC	24VDC
Current	2,5A	2,7A	2,9A
Lighting area	700x280mm ²		
Housing material	Aluminium alloy		
Working Temperature	-40/+85°C		
Cable length	5m		
Cooling method	Natural air		
Opaline Material	Opaline white methacrylate		

Toplight XXL (DOME FlexiBowl® 650/800)



Item	GM000626	GM000624	GM000628
Led Colour	Red	Infrared	White
Wavelength	630nm	850nm	N/A
Voltage	24VDC	24VDC	24VDC
Current	3,9A	4,5A	4,9A
Lighting area	700x500mm ²		
Housing material	Aluminium alloy		
Working Temperature	-40/+85°C		
Cable length	5m		
Cooling method	Natural air		
Opaline Material	Opaline white methacrylate		

Ring Light



Item	CE000379
Led Colour	White
Voltage	24VDC
Power consumption	16 W max.
Housing material	Aluminium alloy, Resin
Working Temperature	0 to 40°C
Cable length	0.3m
Cooling method	Natural air

Camera and Toplight Bracket Base Stand



Item	GM000632
Compatibility	Camera and Toplight 200/350/500 Toplight XL 650/800 Toplight XXL 650/800
Vertical positioning range (camera bracket centre from base flange)	from 300 mm up to 1300 mm
Radial positioning range (camera bracket centre from pole center)	From 150 mm up to 650 mm
Weight	14 kg
Materials	Stainless steel pole stand + Aluminium profiles for TopLight and camera supporting structure
Fixation predisposition	N°4 M10 Screws on diameter D140mm